

ITEM No	DESCRIPTION	E3161 3HP	E3101 3HP	E3101 4HP	E3117
1	OVEN CONTROL KNOB		734000002		
2	OVEN CONTROL THERMOSTAT	734000034	734000032	734000032	734000032
3	RED MAINS INDICATOR		731000008		
4	AMBER HEAT INDICATOR		731000007		
5	OVEN TOP ELEMENT LH(N/A E3161) OR RH		730962050		
6	OVEN BOTTOM ELEMENT LH OR RH		730962060		
7	REAR BOTTOM ELEMENT SUPPORT BKT		734200003		
8	MAINS TERMINAL		731000006		

FOR 900 WIDE OUTER PANELS, SEE AA48634  
 FOR 600 WIDE OUTER PANELS, SEE AA48635  
 FOR HOB ELECTRICS, SEE AA48636  
 FOR OTC OVEN ELECTRICS, SEE AA48637  
 FOR O/S SPARES, SEE AA49139

# PRODUCTION ISSUE

ISSUE	MOD No	ALTERATION	DRAWN BY	DATE
B	1319	OFFSHORE SPARES REF ADDED	S. BROWN	14/11/11
C	6651	OVEN THERMOSTAT NUMBER SPARES NUMBER CHANGES	F.GARVOCK	26/09/12

IF IN DOUBT ASK  
DO NOT SCALE  
FIRST ANGLE PROJECTION

UNLESS OTHERWISE SPECIFIED:  
DIMENSIONS ARE IN MILLIMETERS  
TOLERANCES:  
LINEAR: ±0.5mm  
ANGULAR: ±0.5 DEG

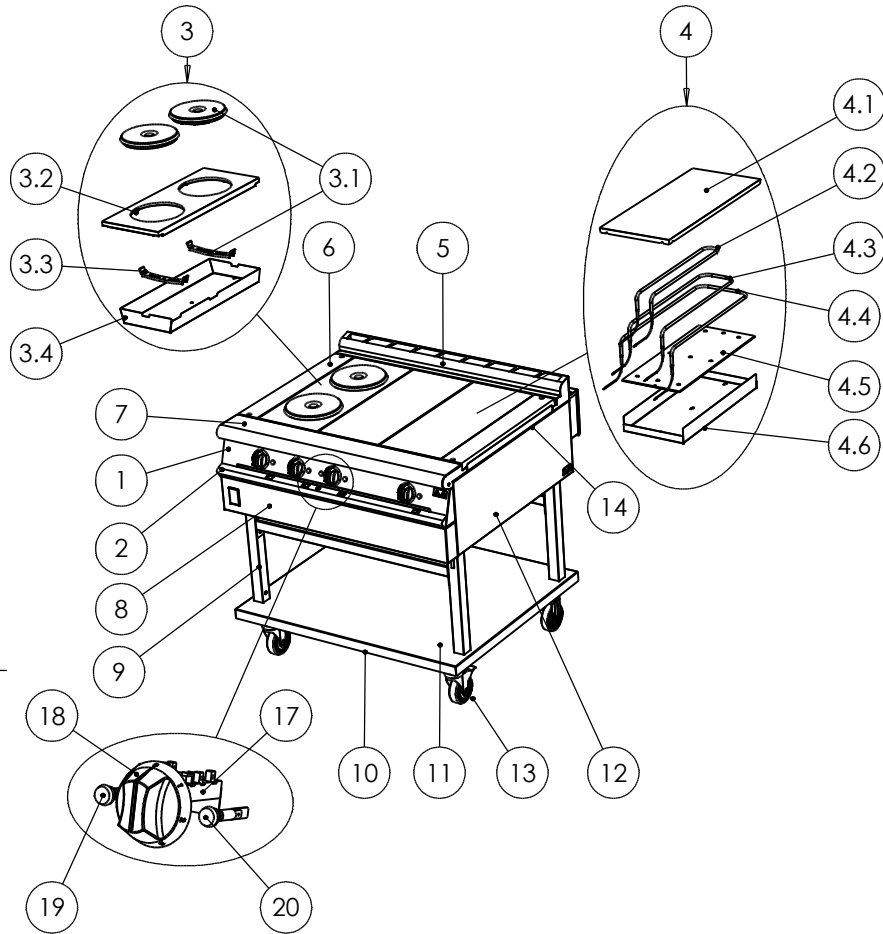
DEBUR AND  
BREAK SHARP EDGES

WEIGHT: 94649.91g



DRAWN: <b>S. BROWN</b>	PRODUCT	
DATE: <b>01/06/11</b>	TITLE	
SCALE: <b>1:8</b>	<p align="center"><b>E3100 SERIES</b>  <b>SPARES - OVEN ELECTRICAL</b>  <b>COMPONENTS (NON OTC)</b></p>	
MATL:	DRAWING NUMBER	ISSUE
THICKNESS:	FINISH:	<p align="center"><b>AA48719</b></p>
BIN No:	PART No:	

© NO REPRODUCTION OR PUBLICATION OF THIS DRAWING MAY BE MADE AND NO ARTICLE MAY BE MANUFACTURED OR ASSEMBLED IN ACCORDANCE WITH THIS DRAWING WITHOUT PRIOR WRITTEN CONSENT. THIS PROHIBITION IS A TERM OF ANY CONTRACT RELATING TO THIS DRAWING. RIGHTS RESERVED UNDER THE COPYRIGHT ACT 1956 AS AMENDED BY THE DESIGN COPYRIGHT ACT 1968



ITEM No	DESCRIPTION	E3117 (ON STAND)	E3121 3HP	E3121 4HP	E3101 & OTC 3HP	E3101 & OTC 4HP	E3161 3HP
1	CONTROL PANEL	SEE AA48634	734000015	734000017			SEE AA48635
2	DRIP TRAY		734000016	734000018			
3	CIRCULAR HOTPLATE ASSEMBLY		N/A	730960114	N/A		730960114
3.1	HOTPLATE C/W FIXING BRACKET		N/A	731400050	N/A		731400050
3.2	ROUND HOTPLATE CASTING		N/A	730960101	N/A		730960101
3.3	ROUND HOTPLATE FIXING BRACKET		N/A	730960115	N/A		730960115
3.4	ROUND HOTPLATE COVER PLATE		N/A	730964160	N/A		730964160
4	RECTANGULAR HOTPLATE ASSEMBLY	N/A		730960010			
4.1	RECTANGULAR HOTPLATE CASTING			731400110			
4.2	INNER ELEMENT			731400020			
4.3	INTERMEDIATE ELEMENT			731400030			
4.4	OUTER ELEMENT			731400040			
4.5	ELEMENT CLAMP PLATE			730960150			
4.6	HOTPLATE LAGGING BOX			730964060			
5	HOB REAR FLUE RAIL		532900017				
6	HOB FILLING		730960090				SEE AA48635
7	FRONT HOB RAIL		532900018				
8	LOWER CONTROL PANEL	N/A	535340001				
9	LEG ASSEMBLY		535400202				N/A
10	BOTTOM FRAME (NOT SHOWN)		535400204				
11	BOTTOM SHELF		535400203				
12	LH OR RH SIDE PANEL	N/A	535400190				N/A
13	S/S FOOT		535290028				
	CASTOR SWIVEL		534103055				
	CASTOR FIXED		530964350				
14	DRIP SHEDS LH OR RH		734000000				
17	6 POSITION HOTPLATE SWITCH	N/A	731400070				
18	6 POSITION HOTPLATE CONTROL KNOB		734000014				
19	RED MAINS INDICATOR NEON		731000008				
20	AMBER HEAT INDICATOR NEON		731000007				

FOR O/S SPARES, SEE AA49139

# PRODUCTION ISSUE

ISSUE	MOD No	ALTERATION	DRAWN BY	DATE
A	1284	PRODUCTION ISSUE	S. BROWN	01/06/11
B	1319	O/S SPARES REF ADDED	S. BROWN	14/11/11

IF IN DOUBT ASK  
DO NOT SCALE  
FIRST ANGLE PROJECTION



UNLESS OTHERWISE SPECIFIED:  
DIMENSIONS ARE IN MILLIMETERS  
TOLERANCES:  
LINEAR: ±0.5mm  
ANGULAR: ±0.5 DEG

DEBUR AND  
BREAK SHARP EDGES

WEIGHT: 161493.63g



DRAWN: **S. BROWN**

DATE: **01/06/11**

SCALE: **1:15**

MATL:

THICKNESS:

BIN No:

PRODUCT

**E3121 BOILING TABLES**

TITLE

**SPARES - B/TABLES, STAND & HOTPLATES**

DRAWING NUMBER

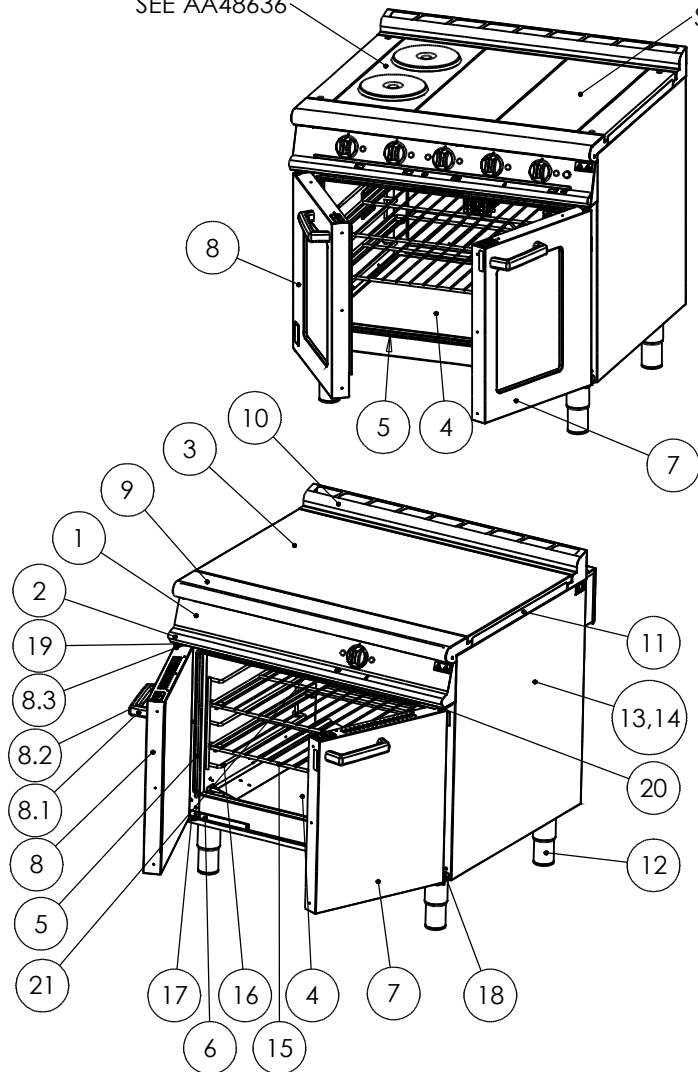
**AA48636**

ISSUE

**B**

SEE AA48636

SEE AA48636



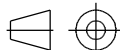
ITEM No	DESCRIPTION	E3101 3HP	E3101 4HP	E3117	E3101 OTC 3HP	E3101 OTC 4HP	E3101 OTC 6HP	E3101P 6HP
1	CONTROL PANEL	734000003	734000007	734000011	734000005	734000009	734000019	734000060
2	DRIP TRAY	734000004	734000008	N/A	734000006	734000010	734000020	734000061
3	GP OVEN WORKTOP		N/A	535470002			N/A	
4	OVEN BASE PANEL ASSY		734200002			535210002		734200002
5	OVEN DOOR SEAL		535200005			535210001		535200005
6	OVEN DRIP TRAY LH OR RH		734000001			N/A		734000001
7	OVEN DOOR ASSY RH		535290020			535300002		535290020
	OVEN DOOR ASSY LH		535290021			535300003		535290021
8	OVEN DOOR HANDLE				535290022			
8.1	OVEN DOOR HANDLE				535290022			
8.2	DOOR CATCH				535480054			
8.3	DOOR HINGE BUSH				537101290			
9	FRONT HOB RAIL				535290018			
10	HOB REAR FLUE RAIL				535290017			
11	DRIP SHEDS LH OR RH				734000000			
	S/S ADJUSTABLE LEG				535480067			
12	CASTOR SWIVEL				530964350			
	CASTOR FIXED				535290031			
13	RH OUTER SIDE PANEL				535200001			
14	LH OUTER SIDE PANEL				535200000			
15	OVEN GRID SHELF				525290004			
16	OVEN SHELF HANGER				535200012			
17	BOTTOM OVEN DOOR HINGE LH				535200007			
18	BOTTOM OVEN DOOR HINGE RH				535200009			
19	TOP DOOR HINGE LH				535200006			
20	TOP DOOR HINGE RH				535200008			
21	OVEN DOOR LATCH & SHIM				535200013			

FOR OVEN ELECTRICS, SEE AA48719  
 FOR HOB ELECTRICS, SEE AA48636  
 FOR OTC OVEN ELECTRICS, SEE AA48637

# PRODUCTION ISSUE

ISSUE	MOD No	ALTERATION	DRAWN BY	DATE
A	1284	PRODUCTION ISSUE	S. BROWN	01/06/11
B		ITEMS 9 & 10 SPARES CODE CORRECTED	S. BROWN	23/09/11
C	6904	REFERENCE TO 6H/P MODELS ADDED	G.SMITH	27/05/13
D	8207	REFERENCE TO E3101P 6HP ADDED	F.GARVOCK	17/10/18

IF IN DOUBT ASK  
DO NOT SCALE  
FIRST ANGLE PROJECTION



UNLESS OTHERWISE SPECIFIED:  
DIMENSIONS ARE IN MILLIMETERS  
TOLERANCES:  
LINEAR: ±0.5mm  
ANGULAR: ±0.5 DEG

DEBUR AND  
BREAK SHARP EDGES

WEIGHT: 97272.85g



DRAWN: **S. BROWN**

DATE: **01/06/11**

SCALE:

MATL:

THICKNESS:

BIN No:

PRODUCT

**E3100 SERIES**

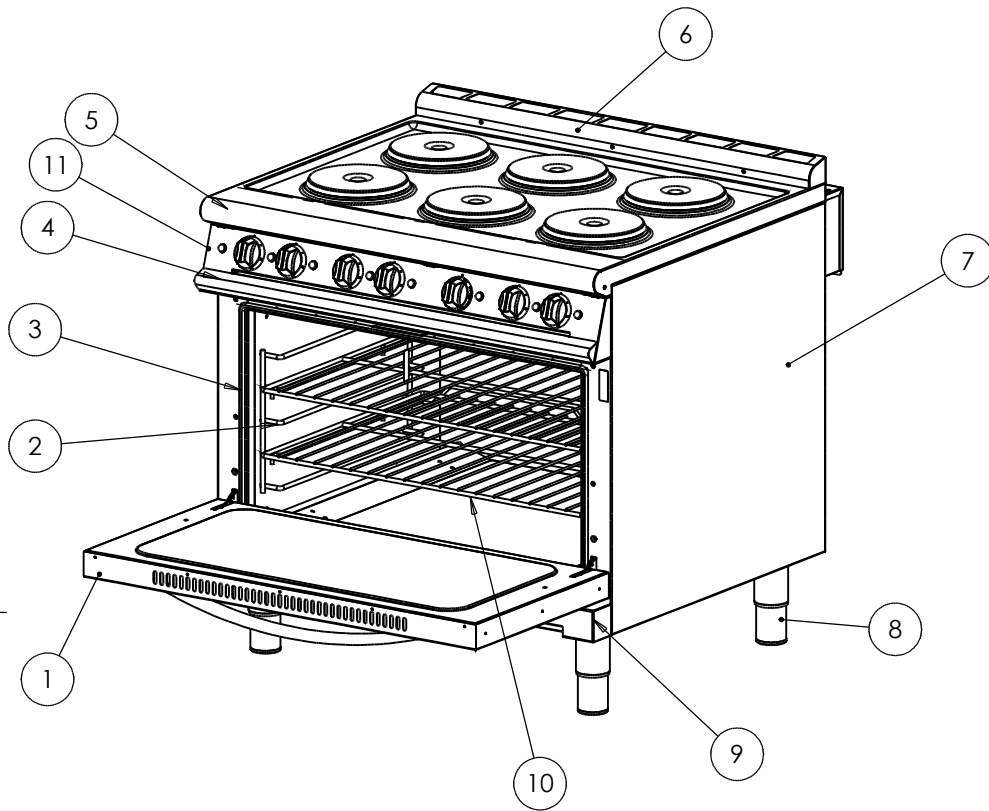
**SPARES - OUTER PANELS  
RANGES & GP OVENS**

DRAWING NUMBER

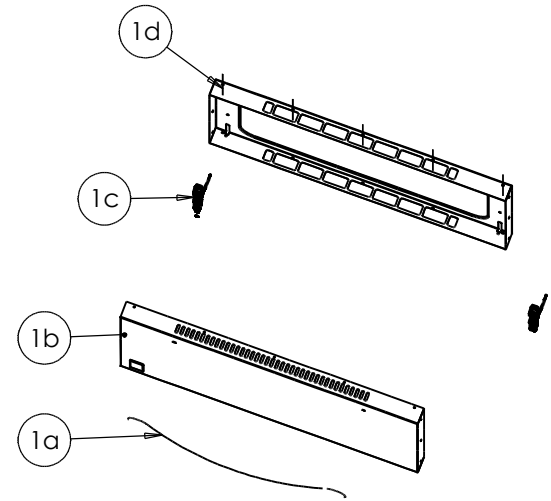
ISSUE

**AA48634**

**D**



ITEM	DESCRIPTION	SPARES NO.
1	DOOR ASSEMBLY	535290036
1a	DOOR HANDLE	535290037
1b	OUTER DOOR PANEL	734000086
1c	DOOR HINGE SET	535290038
1d	INNER DOOR	535290079
2	OVEN SHELF HANGER	535200012
3	DOOR SEAL	535200005
4	DRIP TRAY	734000061
5	HOB PRESSING ASSY	734000087
6	REAR HOB RAIL	734000088
7	RH OUTER SIDE PANEL	535200001
	LH OUTER SIDE PANEL	535200000
8	ADJUSTABLE LEG SET OF 4	535480068
9	BOTTOM SKIRT PANEL	535290040
10	OVEN SHELF	535290023
11	CONTROL PANEL	734000060



# PRODUCTION ISSUE

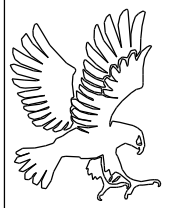
ISSUE	MOD No	ALTERATION	DRAWN BY	DATE
A	8207	PRODUCTION ISSUE	F.GARVOCK	17/10/18

IF IN DOUBT ASK  
DO NOT SCALE  
FIRST ANGLE PROJECTION

UNLESS OTHERWISE SPECIFIED:  
DIMENSIONS ARE IN MILLIMETERS  
TOLERANCES:  
LINEAR: ±0.5mm  
ANGULAR: ±0.5 DEG

DEBUR AND  
BREAK SHARP EDGES

WEIGHT: 140897.77g

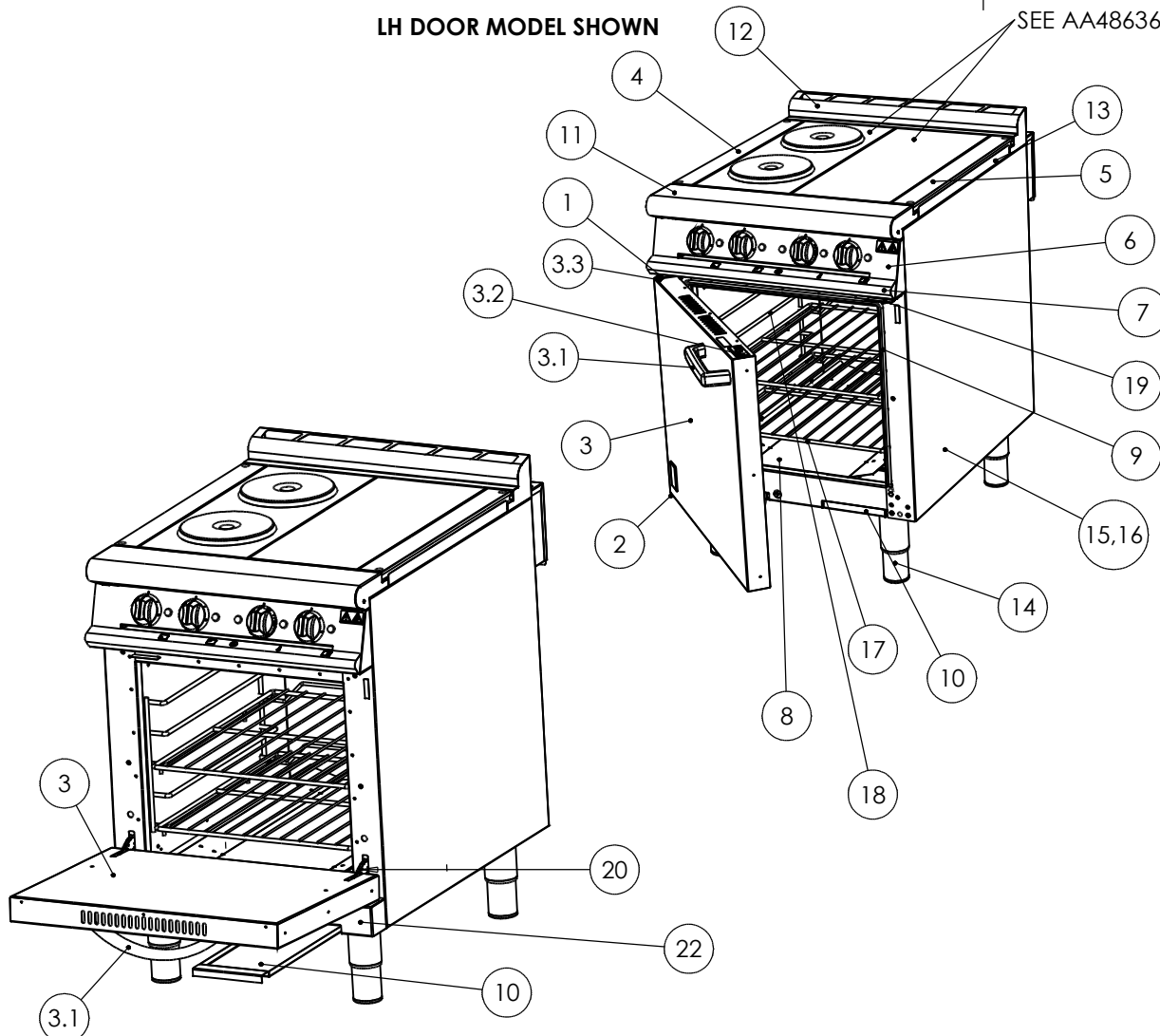


DRAWN: <b>F.GARVOCK</b>	PRODUCT <b>E3101PD 6 H/P RANGE</b>	
DATE: <b>11/10/18</b>	TITLE <b>SPARES OUTER PANELS AND DOORS</b>	
SCALE: <b>1:10</b>	DRAWING NUMBER <b>AA55546</b>	ISSUE <b>A</b>
MATL:	FINISH:	

© NO REPRODUCTION OR PUBLICATION OF THIS DRAWING MAY BE MADE AND NO ARTICLE MAY BE MANUFACTURED OR ASSEMBLED IN ACCORDANCE WITH THIS DRAWING WITHOUT PRIOR WRITTEN CONSENT. THIS PROHIBITION IS A TERM OF ANY CONTRACT RELATING TO THIS DRAWING. RIGHTS RESERVED UNDER THE COPYRIGHT ACT 1956 AS AMENDED BY THE DESIGN COPYRIGHT ACT 1968

LH DOOR MODEL SHOWN

SEE AA48636



ITEM No	DESCRIPTION	E3161 3HP LH DOOR	E3161 3HP RH DOOR	E3161D
1	TOP DOOR HINGE	535200006	535200008	N/A
2	BOTTOM OVEN DOOR HINGE	535200007	535200009	N/A
3	OVEN DOOR ASSY	535330009	535330008	535290045
3.1	OVEN DOOR HANDLE	535290022		535290046
3.2	DOOR CATCH	535480054		N/A
3.3	DOOR HINGE BUSH	535480077		N/A
4	HOB FILLING LH SIDE		730963121	
5	HOB FILLING RH SIDE		730963121	
6	CONTROL PANEL		734000012	
7	DRIP TRAY		734000013	
8	OVEN BASE PANEL ASSY		731402250	
9	OVEN DOOR SEAL		535241010	
10	OVEN DRIP TRAY LH OR RH	734000001		734000041
11	FRONT HOB RAIL	535330006		
12	HOB REAR FLUE RAIL	535330005		
13	DRIP SHEDS LH OR RH	734000000		
14	S/S ADJUSTABLE LEG	535290028		
	CASTOR SWIVEL	530964350		
	CASTOR FIXED	534103055		
15	RH OUTER SIDE PANEL	535200001		
16	LH OUTER SIDE PANEL	535200000		
17	OVEN GRID SHELF	535330010		
18	OVEN SHELF HANGER	535200012		
19	OVEN DOOR LATCH & SHIM	535200013		N/A
20	DOOR HINGE SET	N/A		535290038
21	DOOR HINGE PLATE SET (NOT SHOWN)	N/A		535290039
22	BOTTOM SKIRT PANEL	N/A		535290047

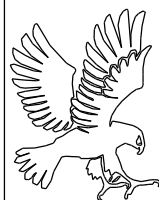
FOR HOTPLATE SPARES SEE: AA48636  
FOR OVEN SPARES SEE: AA48719

# PRODUCTION ISSUE

ISSUE	MOD No	ALTERATION	DRAWN BY	DATE
B	6834	ADDED DETAILS FOR E3161D	P.METCALFE	01/03/13

IF IN DOUBT ASK  
DO NOT SCALE  
FIRST ANGLE PROJECTION

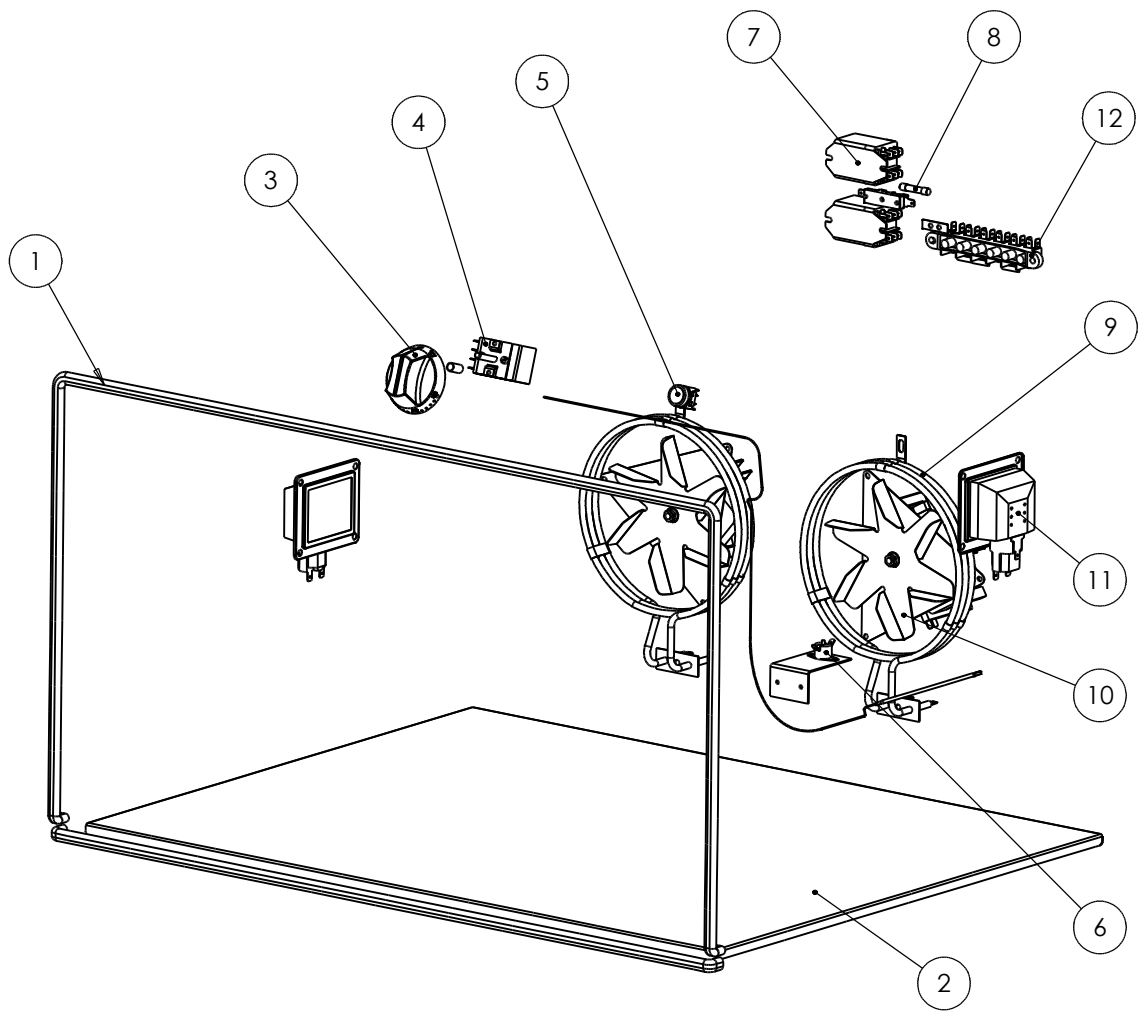
UNLESS OTHERWISE SPECIFIED:  
DIMENSIONS ARE IN MILLIMETERS  
TOLERANCES:  
LINEAR: ±0.5mm  
ANGULAR: ±0.5 DEG



DEBUR AND  
BREAK SHARP EDGES

WEIGHT: 98508.14g

DRAWN: <b>S. BROWN</b>	PRODUCT	
DATE: <b>01/06/11</b>	<b>E3161/D RANGE</b>	
SCALE: <b>1:7</b>	TITLE	
	<b>SPARES - OUTER PANELS</b>	
MATL:	DRAWING NUMBER	ISSUE
THICKNESS:	<b>AA48635</b>	<b>B</b>
BIN No:	FINISH:	PART No:



ITEM No	DESCRIPTION	E3101 OTC 3, 4 & 6HP
1	DOOR SEAL ASSEMBLY	535210001
2	OVEN BOTTOM PANEL	535210002
3	OVEN CONTROL KNOB	535300004
4	OVEN CONTROL THERMOSTAT	535420006
5	LIGHT SWITCH	535500037
6	OVEN SAFETY THERMOSTAT	535420015
7	OPERATING OR SAFETY RELAY	734243005
8	2A FUSE	734243006
9	OVEN ELEMENT	535420009
10	OVEN FAN	535420010
11	OVEN LAMP C/W GLASS	732910390
12	MAINS TERMINAL	731000006

FOR RANGE SPARES SEE: AA48634  
 FOR HOTPLATE SPARES SEE: AA48636

# PRODUCTION ISSUE

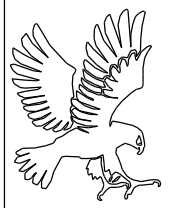
ISSUE	MOD No	ALTERATION	DRAWN BY	DATE
A	1284	PRODUCTION ISSUE	S. BROWN	01/06/11
B	6904	E3101 OTC 6H/P INFO ADDED	G.SMITH	27/05/13

IF IN DOUBT ASK  
DO NOT SCALE  
FIRST ANGLE PROJECTION

UNLESS OTHERWISE SPECIFIED:  
DIMENSIONS ARE IN MILLIMETERS  
TOLERANCES:  
LINEAR: ±0.5mm  
ANGULAR: ±0.5 DEG

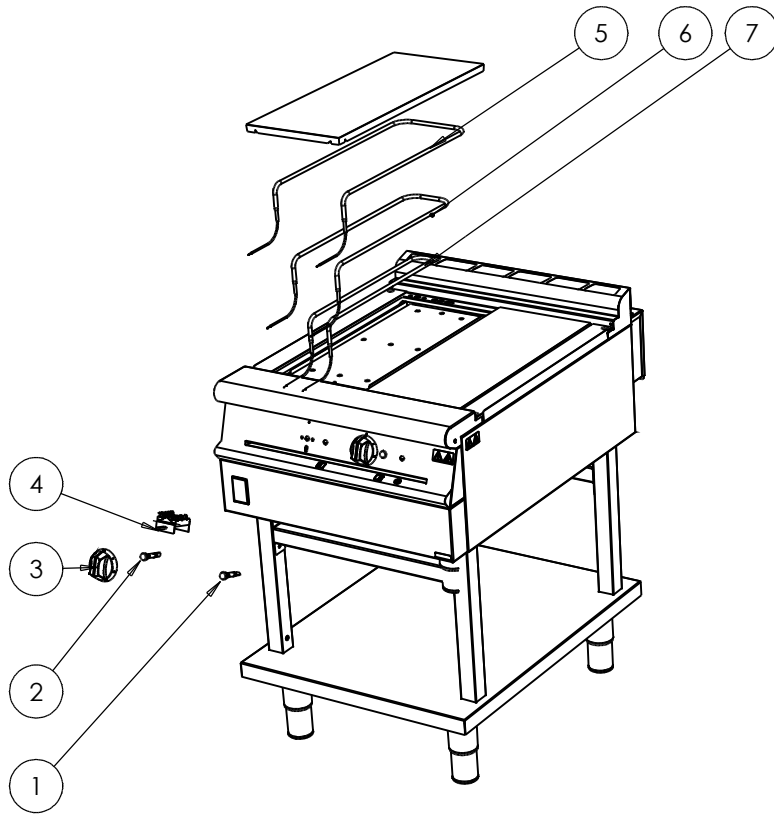
DEBUR AND  
BREAK SHARP EDGES

WEIGHT: 135413.05g



DRAWN: <b>S. BROWN</b>	PRODUCT		<b>E3101 OTC</b>	
DATE: <b>01/06/11</b>	TITLE			
SCALE:	<b>SPARES - OTC OVEN ONLY</b>			
MATL:	DRAWING NUMBER	ISSUE		
THICKNESS:	<b>AA48637</b>		<b>B</b>	
BIN No:	PART No:			

© NO REPRODUCTION OR PUBLICATION OF THIS DRAWING MAY BE MADE AND NO ARTICLE MAY BE MANUFACTURED OR ASSEMBLED IN ACCORDANCE WITH THIS DRAWING WITHOUT PRIOR WRITTEN CONSENT. THIS PROHIBITION IS A TERM OF ANY CONTRACT RELATING TO THIS DRAWING. RIGHTS RESERVED UNDER THE COPYRIGHT ACT 1956 AS AMENDED BY THE DESIGN COPYRIGHT ACT 1968



ITEM	DESCRPITION	SPARES No.
1	INDICATOR RED	730962010
2	INDICATOR AMBER	730962040
3	6 POSITION CONTROL KNOB	734000014
4	6 POSITION SWITCH	731880160
5	OUTER ELEMENT 240V	730960040
6	INTERMEDIATE ELEMENT 240V	730960030
7	INNER ELEMENT 240V	730960020

# PRODUCTION ISSUE

ISSUE	MOD No	ALTERATION	DRAWN BY	DATE
A	1479	PRODUCTION ISSUE	F.GARVOCK	07/08/14

IF IN DOUBT ASK  
DO NOT SCALE  
FIRST ANGLE PROJECTION

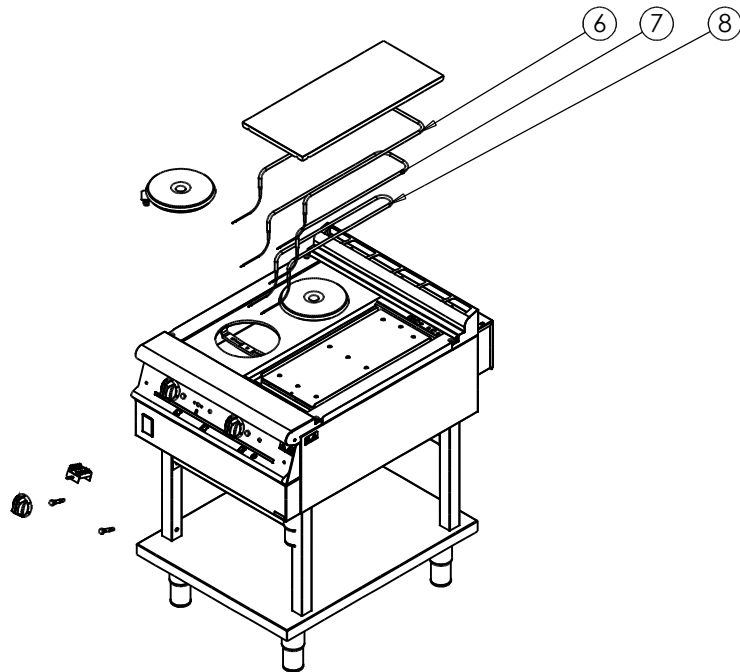
UNLESS OTHERWISE SPECIFIED:  
DIMENSIONS ARE IN MILLIMETERS  
TOLERANCES:  
LINEAR: ±0.5mm  
ANGULAR: ±0.5 DEG

DEBUR AND  
BREAK SHARP EDGES

WEIGHT: 100782.47g



DRAWN: <b>F.GARVOCK</b>	PRODUCT <b>E3162 2HP BOILING TOPS</b>	
DATE: <b>07/08/14</b>	TITLE <b>SPARES DIAGRAM</b>	
SCALE: <b>1:20</b>	DRAWING NUMBER	ISSUE
MATL:	<b>AA51704</b>	<b>A</b>
THICKNESS:		
BIN No:	PART No: <b>E3162 2HP BT</b>	

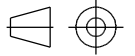


ITEM	DESCRIPTION	SPARES No.
1	INDICATOR RED	730962010
2	INDICATOR AMBER	730962040
3	6 POSITION CONTROL KNOB	734000014
4	6 POSITION SWITCH	731880160
5	CIRCULAR HOTPLATE 240V	730960050
6	OUTER ELEMENT 240V	730960040
7	INTERMEDIATE ELEMENT 240V	730960030
8	INNER ELEMENT 240V	730960020

# PRODUCTION ISSUE

ISSUE	MOD No	ALTERATION	DRAWN BY	DATE
A	1481	PRODUCTION ISSUE	F.GARVOCK	25/08/14

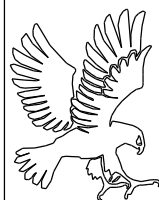
IF IN DOUBT ASK  
DO NOT SCALE  
FIRST ANGLE PROJECTION



UNLESS OTHERWISE SPECIFIED:  
DIMENSIONS ARE IN MILLIMETERS  
TOLERANCES:  
LINEAR: ±0.5mm  
ANGULAR: ±0.5 DEG

DEBUR AND  
BREAK SHARP EDGES

WEIGHT: 124175.19g



DRAWN: <b>F.GARVOCK</b>	PRODUCT <b>E3162 3HP BOILING TOPS</b>	
DATE: <b>25/08/14</b>	TITLE <b>SPARES DIAGRAM</b>	
SCALE: <b>1:50</b>	DRAWING NUMBER	ISSUE
MATL:	<b>AA51728</b>	<b>A</b>
THICKNESS:	FINISH:	

© NO REPRODUCTION OR PUBLICATION OF THIS DRAWING MAY BE MADE AND NO ARTICLE MAY BE MANUFACTURED OR ASSEMBLED IN ACCORDANCE WITH THIS DRAWING WITHOUT PRIOR WRITTEN CONSENT. THIS PROHIBITION IS A TERM OF ANY CONTRACT RELATING TO THIS DRAWING. RIGHTS RESERVED UNDER THE COPYRIGHT ACT 1956 AS AMENDED BY THE DESIGN COPYRIGHT ACT 1968